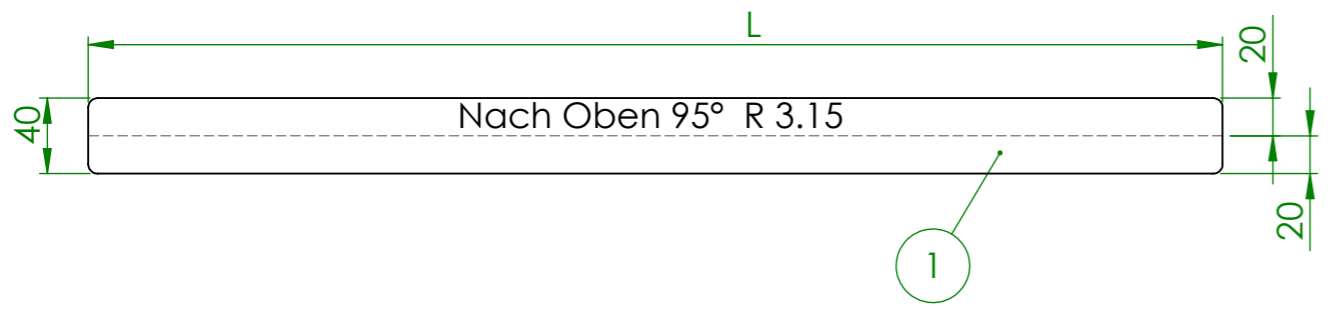
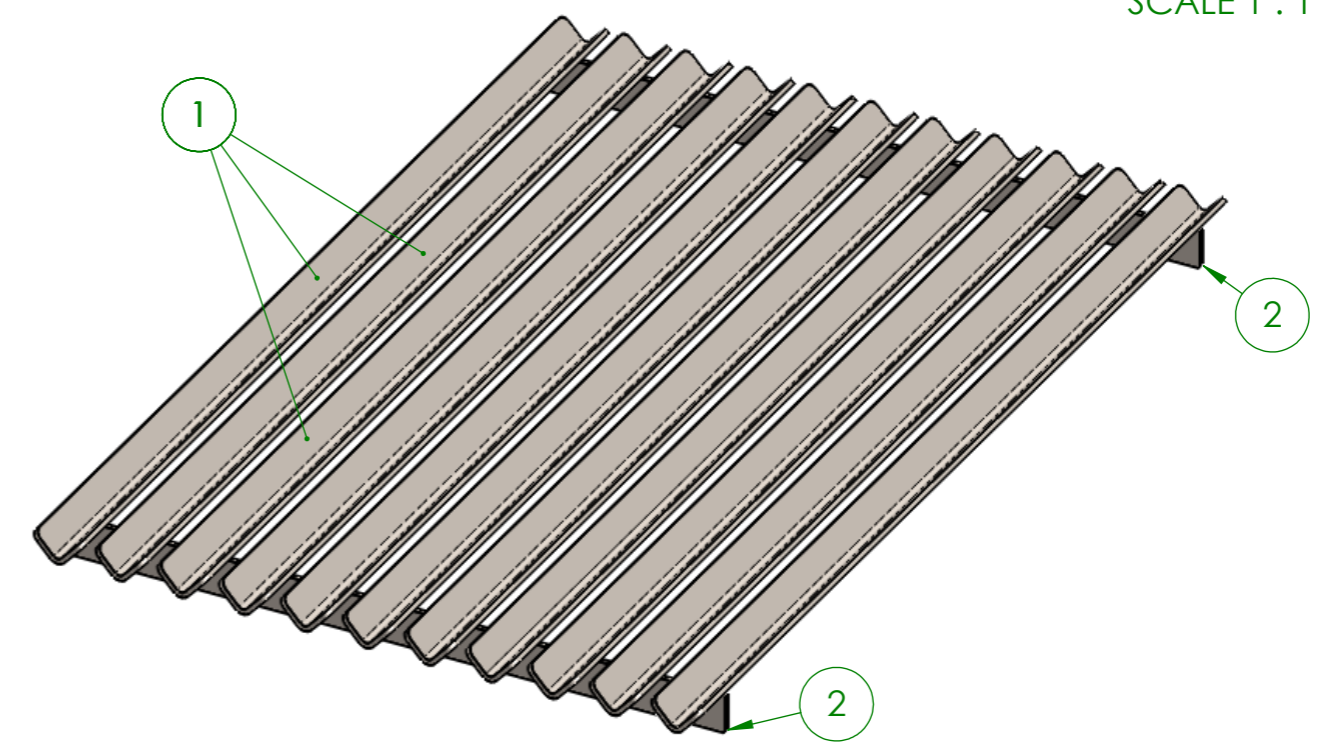
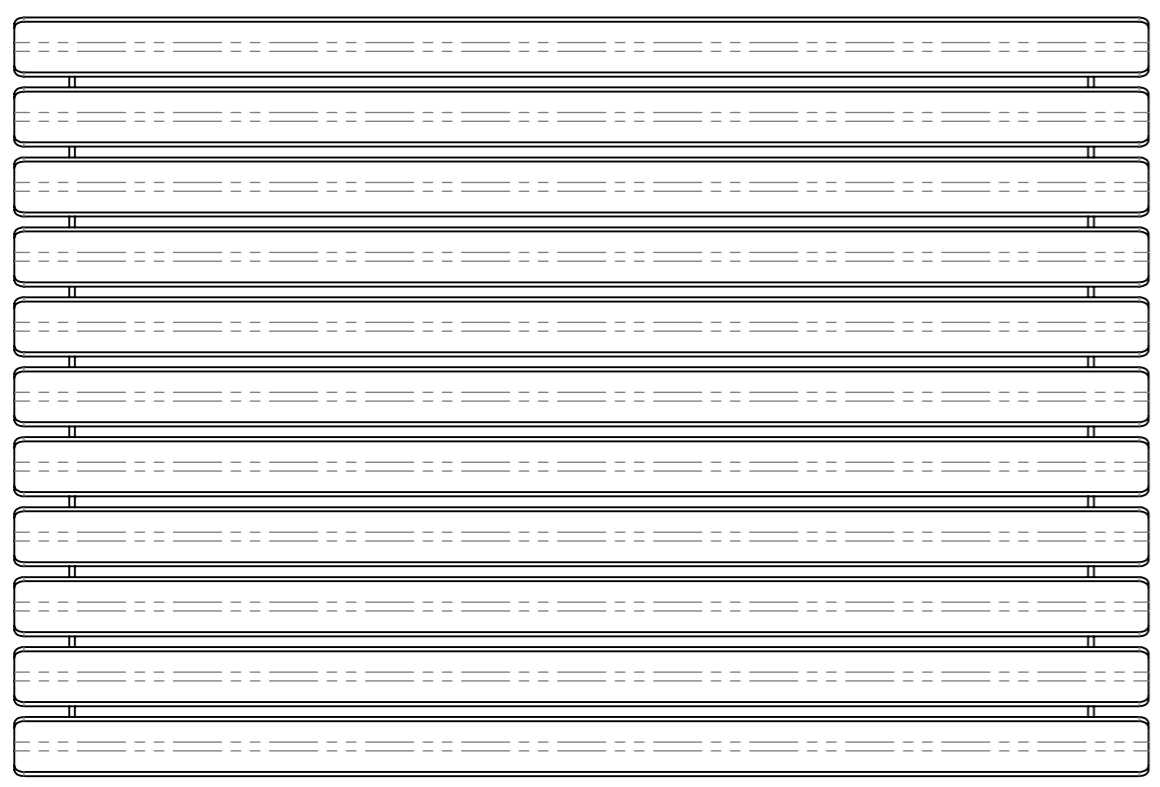
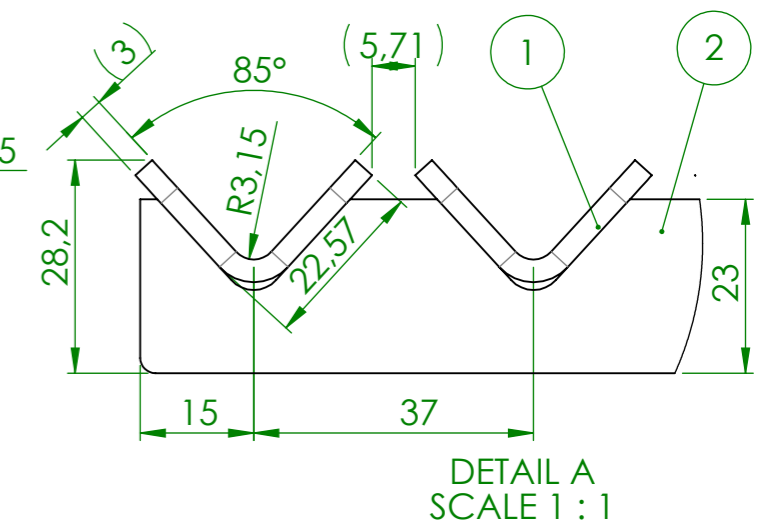
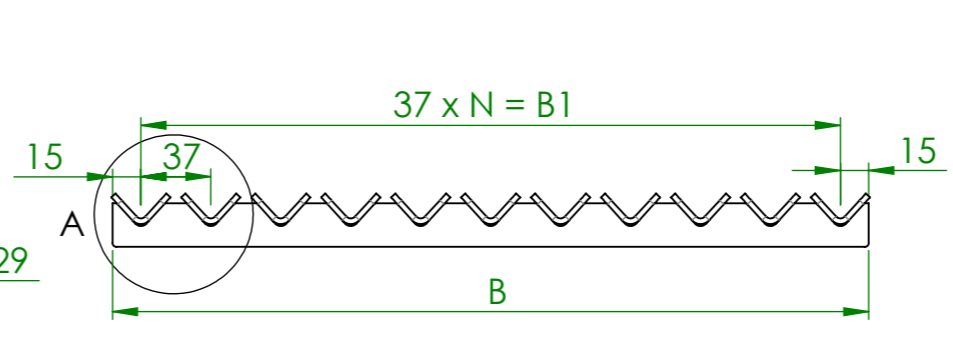
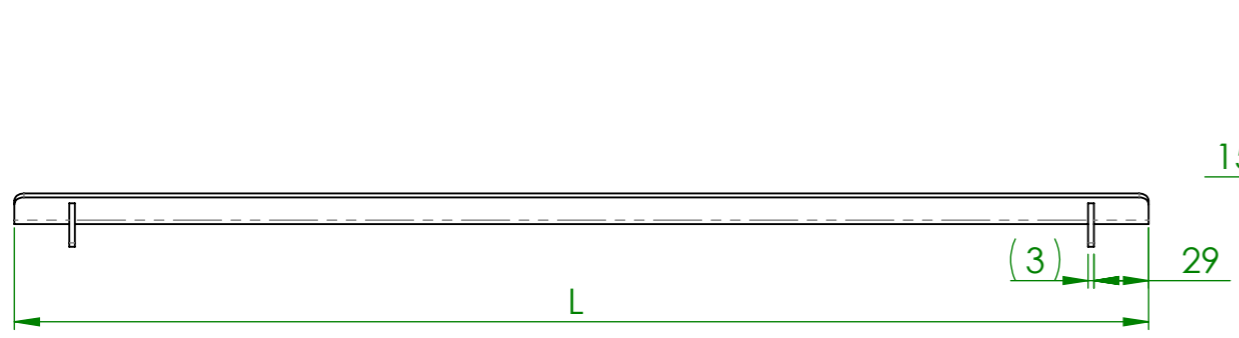


N	Benennung	SW-Configuration Name(Configuration Name)	330-V9/QTY.	330-V10/QTY.	330-V11/QTY.	415-V9/QTY.	415-V10/QTY.	415-V11/QTY.	500-V9/QTY.	500-V10/QTY.	500-V11/QTY.	600-V9/QTY.	600-V10/QTY.	600-V11/QTY.
1	ZCYF01 Winkel	330	9	10	11	-	-	-	-	-	-	-	-	-
1	ZCYF01 Winkel	415	-	-	-	9	10	11	-	-	-	-	-	-
1	ZCYF01 Winkel	500	-	-	-	-	-	-	9	10	11	-	-	-
1	ZCYF01 Winkel	600	-	-	-	-	-	-	-	-	-	9	10	11
2	ZCYF01 V-Rost	V9	2	-	-	2	-	-	2	-	-	2	-	-
2	ZCYF01 V-Rost	V10	-	2	-	-	2	-	-	2	-	-	2	-
2	ZCYF01 V-Rost	V11	-	-	2	-	-	2	-	-	2	-	-	2
	L [mm]		330			415			500			600		
.	B [mm]		326	363	400	326	363	400	326	363	400	326	363	400
.	B1 [mm]		296	333	370	296	333	370	296	333	370	296	333	370



Verwendungsbereich 600x400x26	Toleranz nach DIN ISO 2768-mK	Oberflächen DIN ISO 1302	Maßstab: 1:4	Gewicht: max 6.12 kg
Name		Datum		
Bearb. M.B.		29.07.2020		
		Werkstoff 1.4301 AISI 304		
		ZCYF01 V-Rost Edelstahl		
HEIDEBRENNER		A3		